

SINGER

135W1

Form 2677w

(141)

Printed in U. S. A.

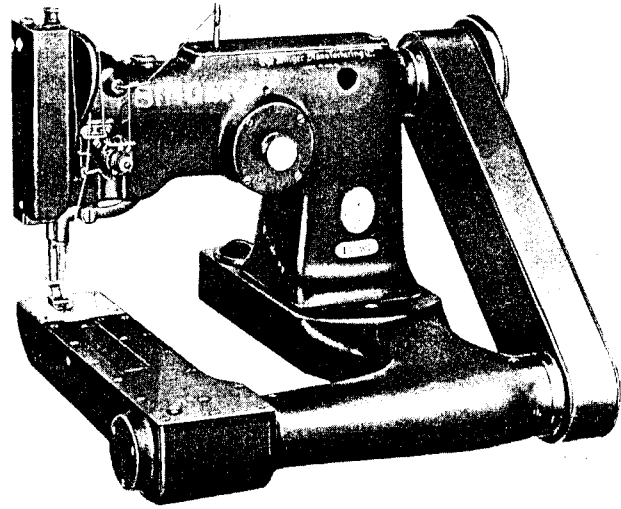
SINGER

135w1



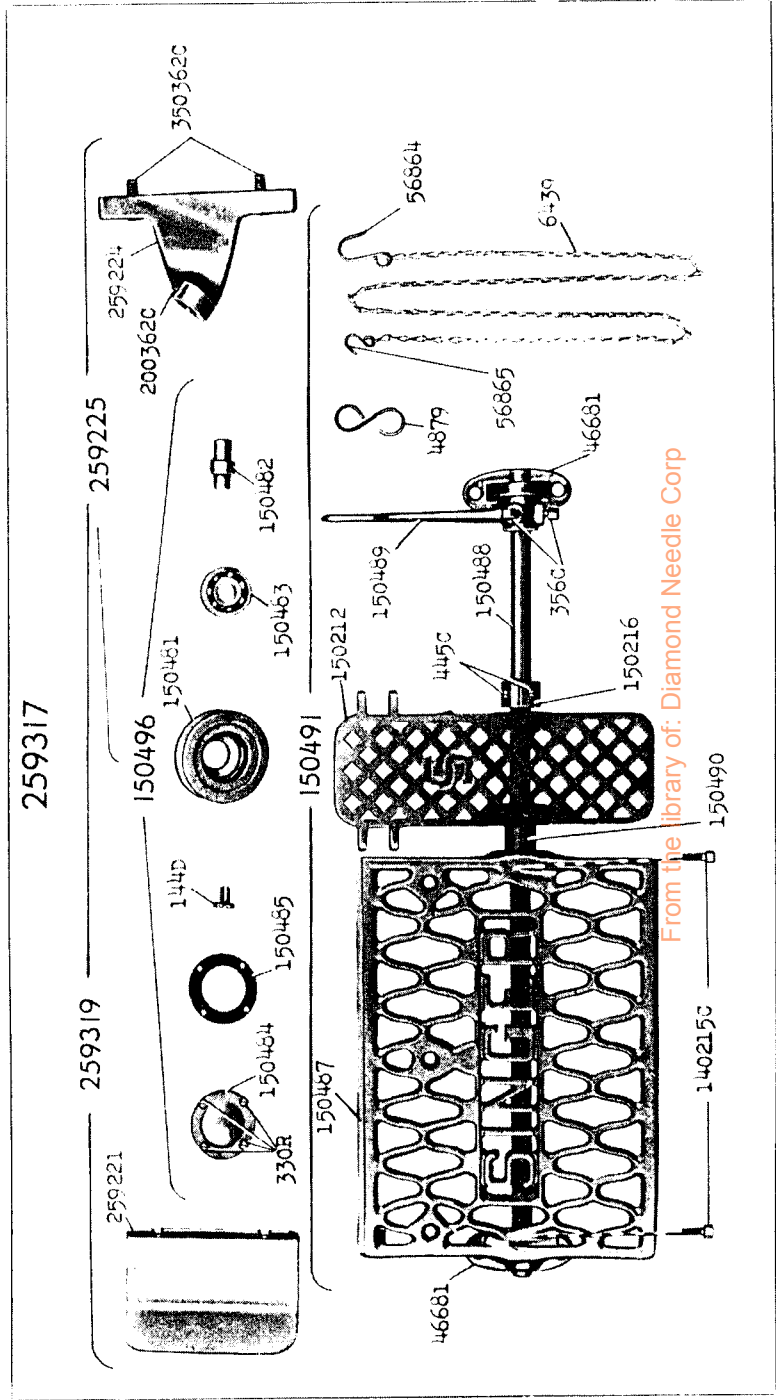
From the library of: Diamond Needle Corp

THE SINGER MANUFACTURING COMPANY

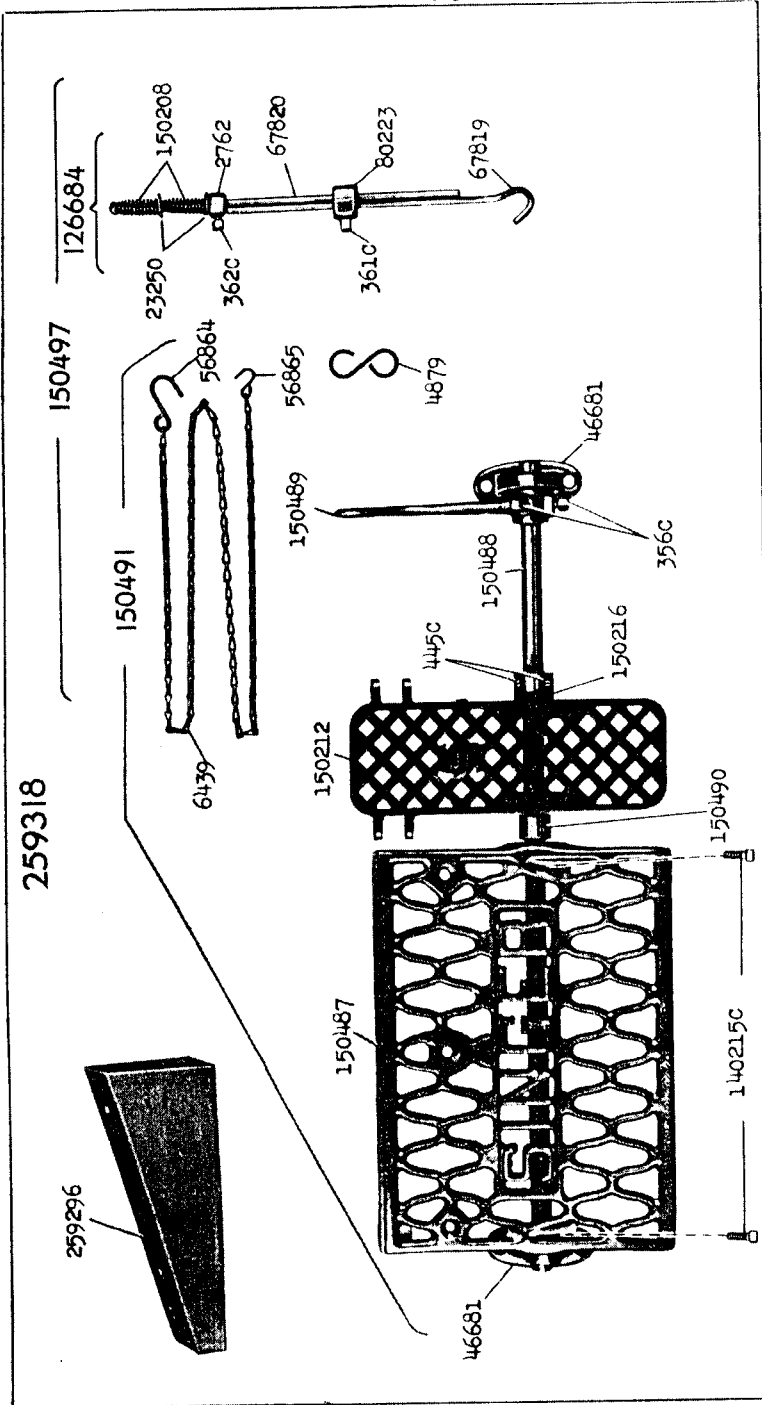


Copyright, U. S. A., 1938, 1939, 1940 and 1941
 by The Singer Manufacturing Co.
 All Rights Reserved for all Countries

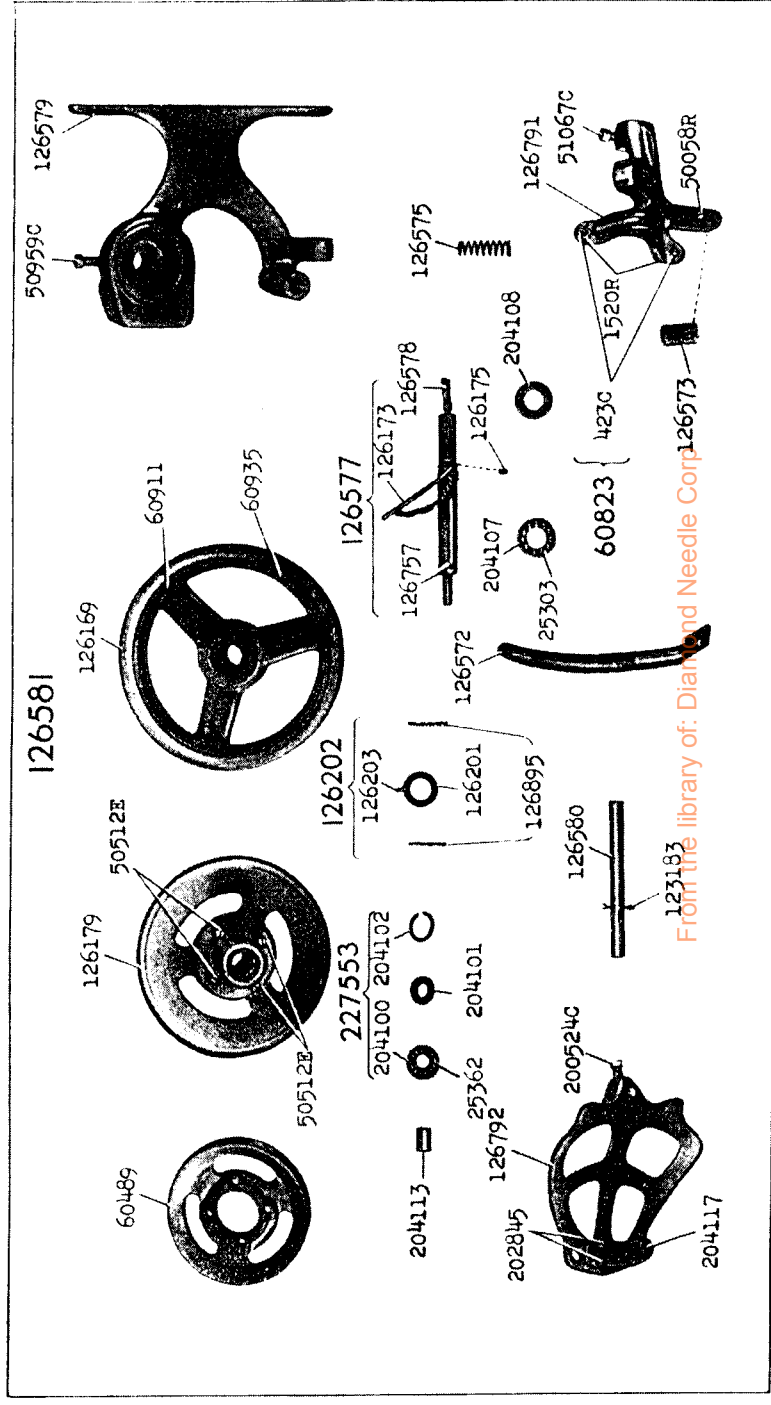
15851 - 1/6



15852 - 1/6

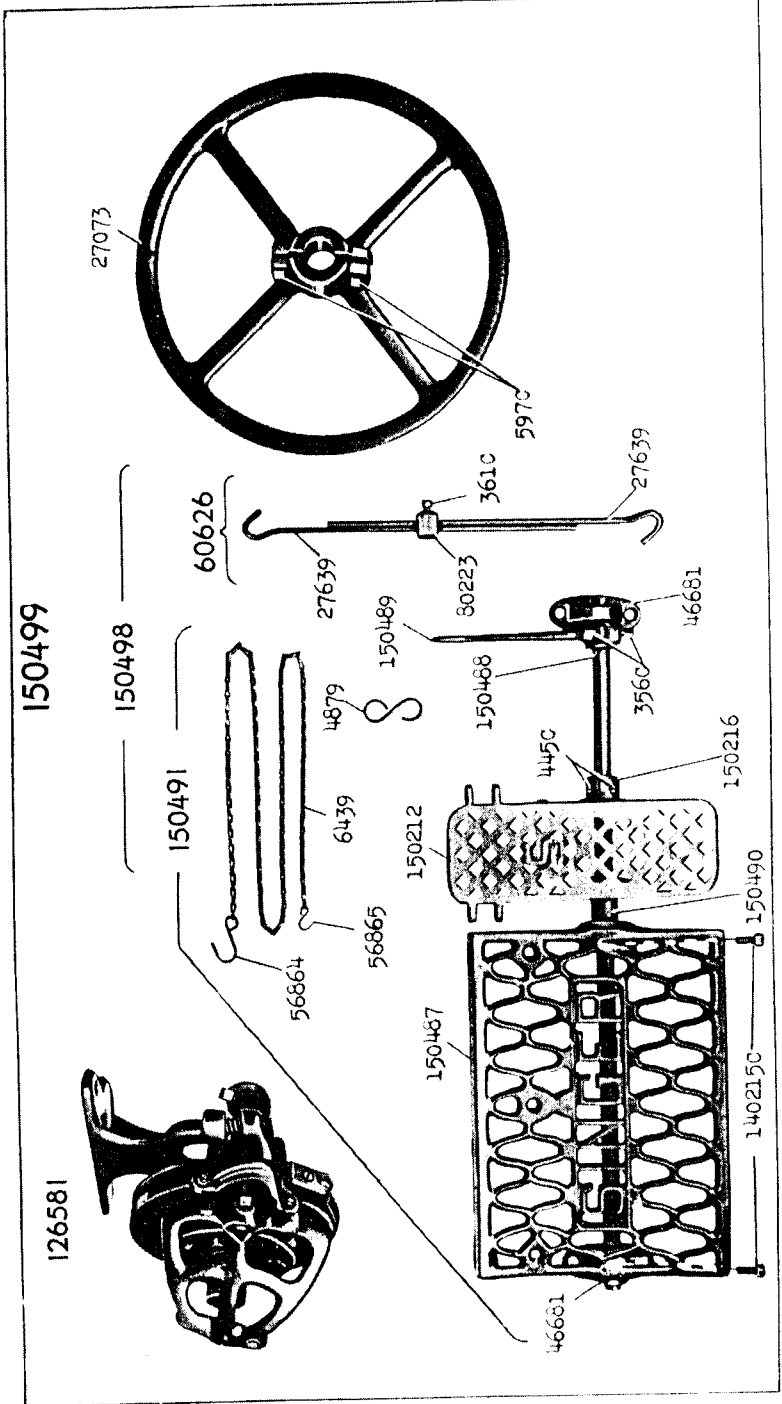


15853 - 1/6

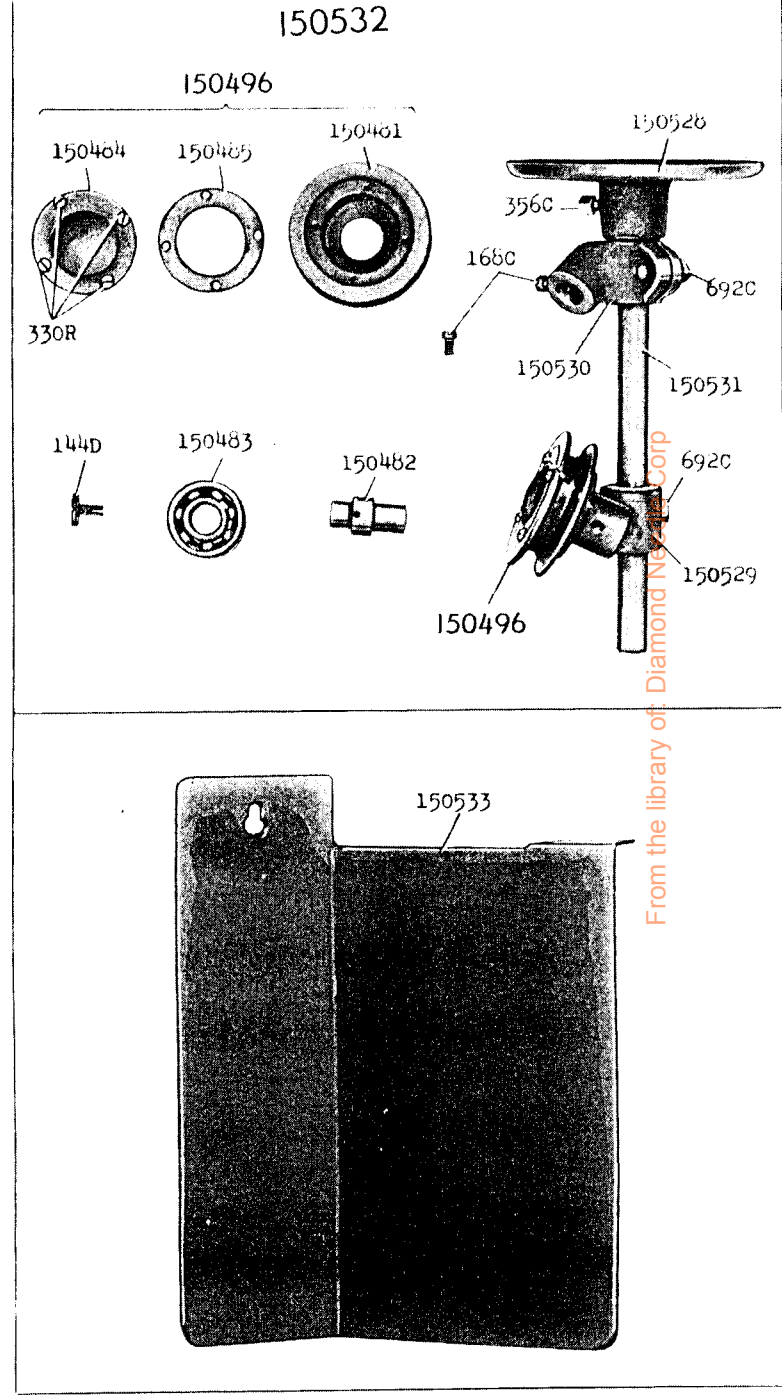


From the library of: Diamond Needle Corp. 126573

15854 - 1/7

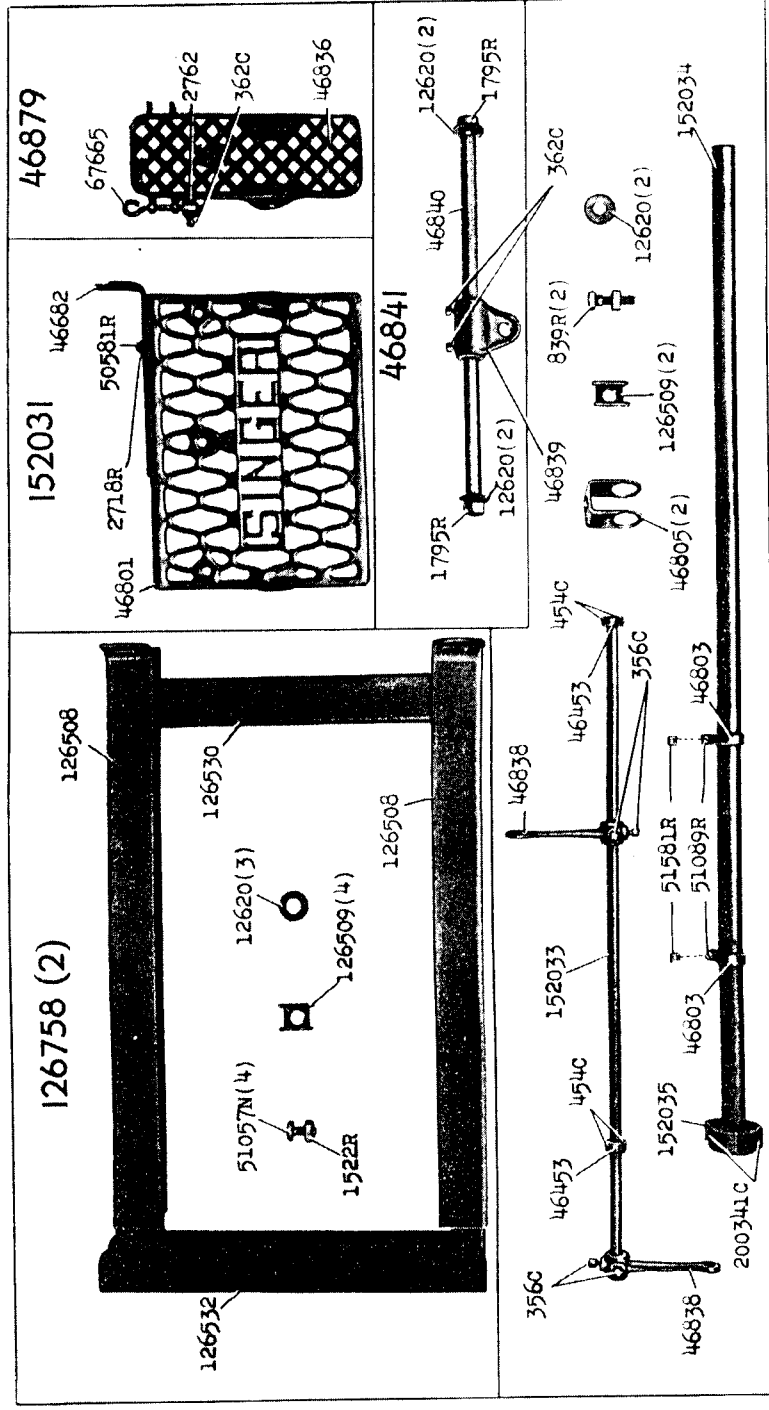


15855 - 1/4

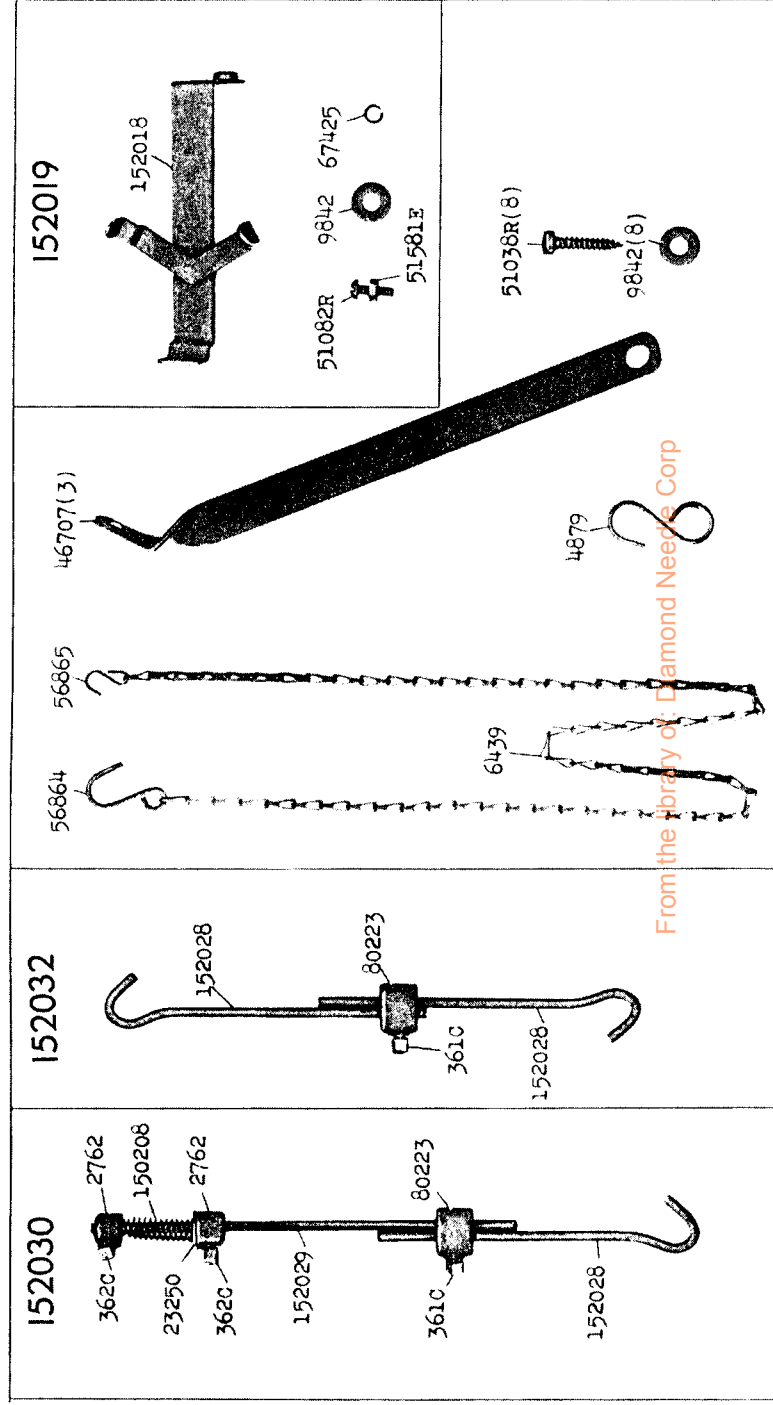


From the library of Diamond News Corp

15856 - 1/8

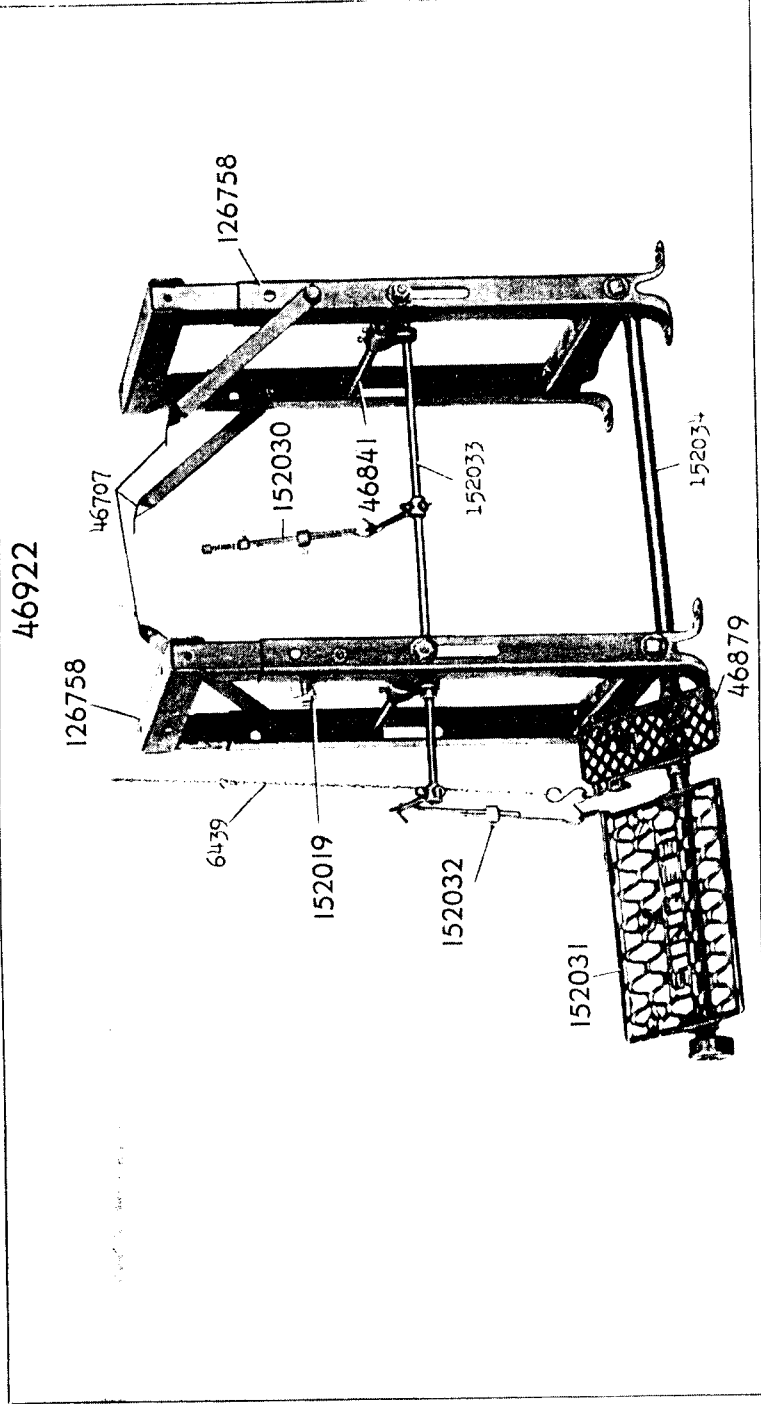


15857 - 1/4

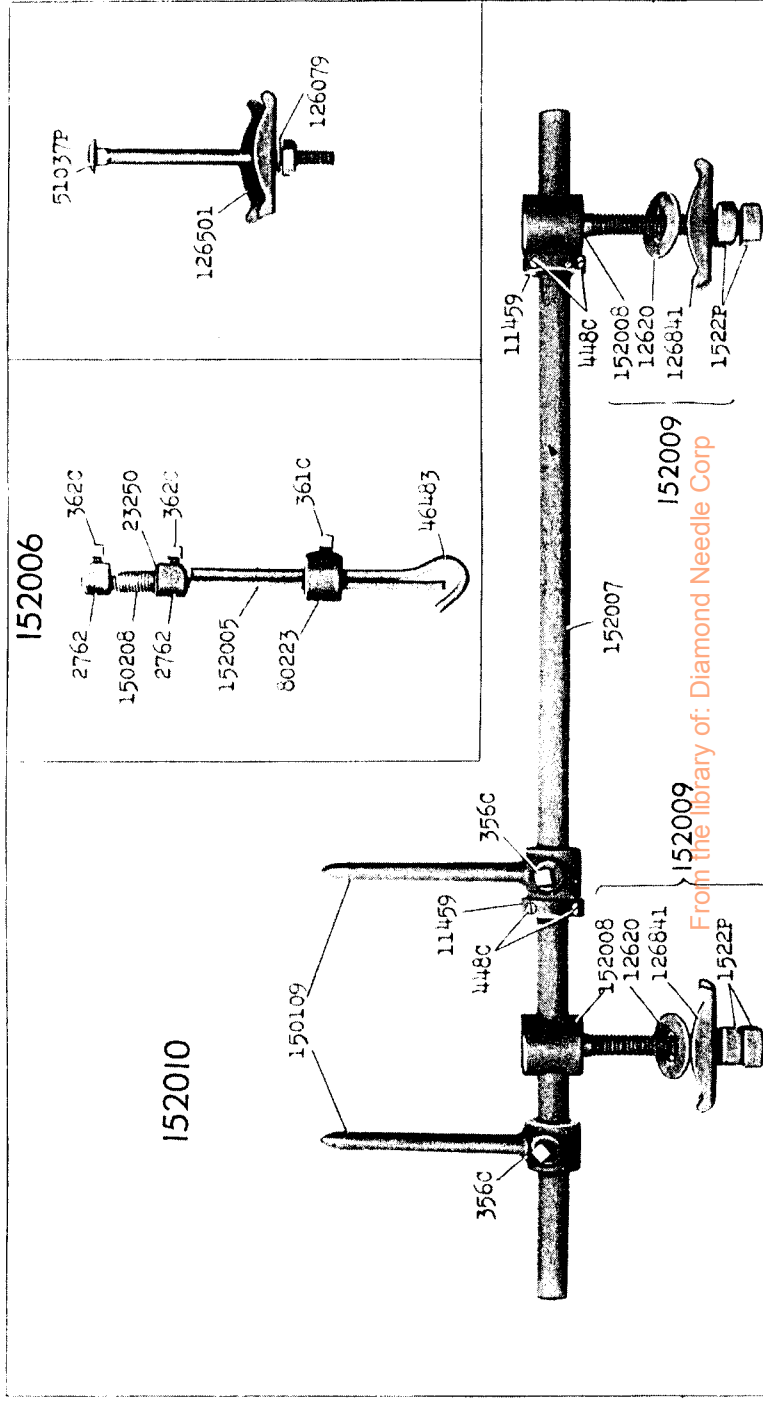


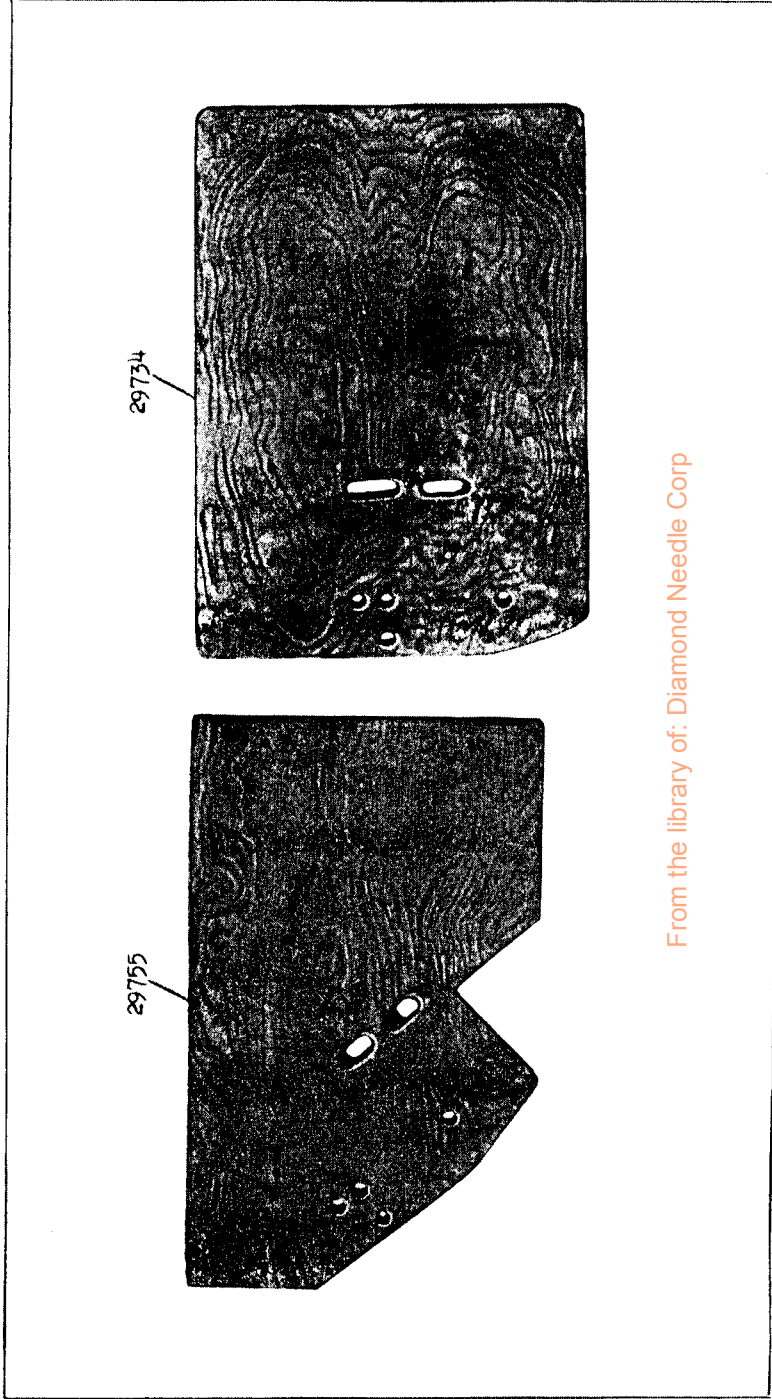
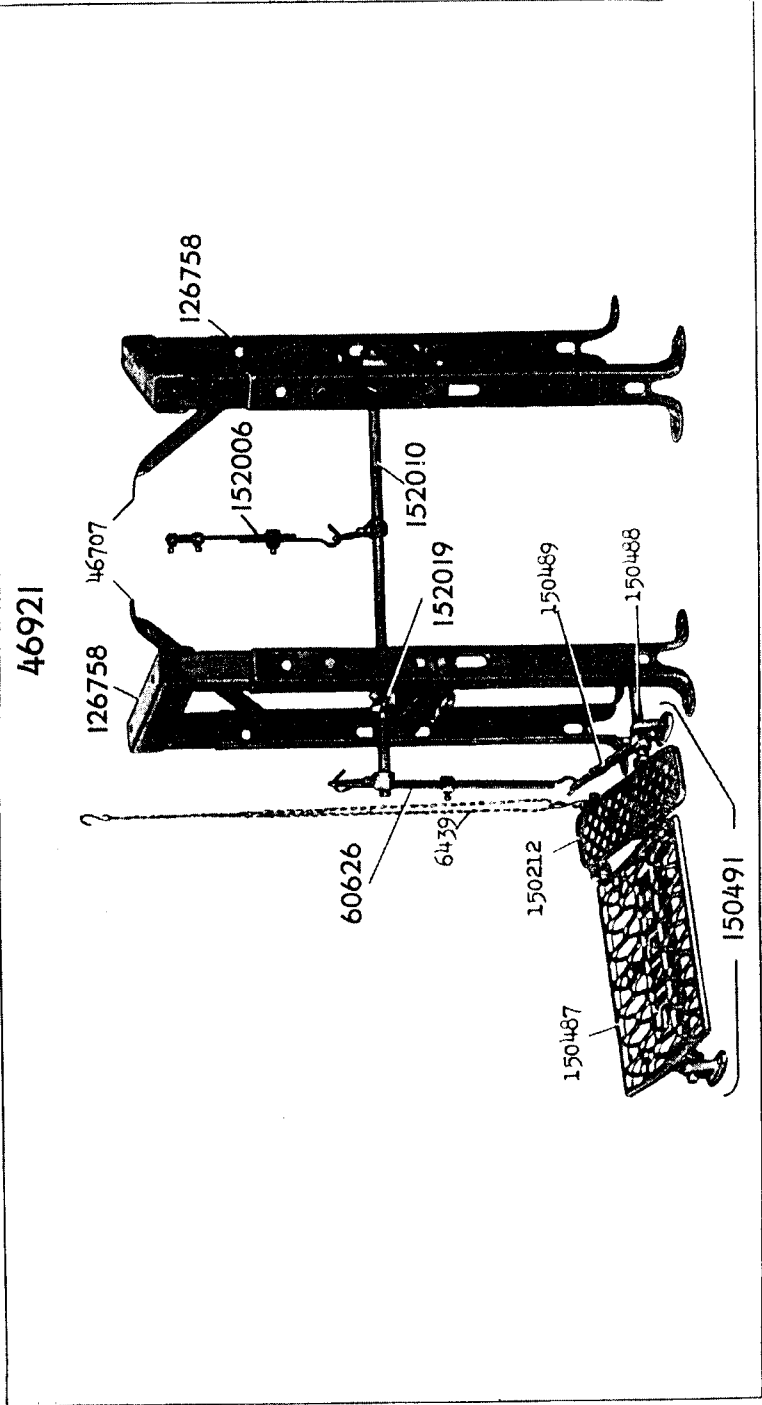
From the library of: Diamond Needle Corp

15858 - 1/10



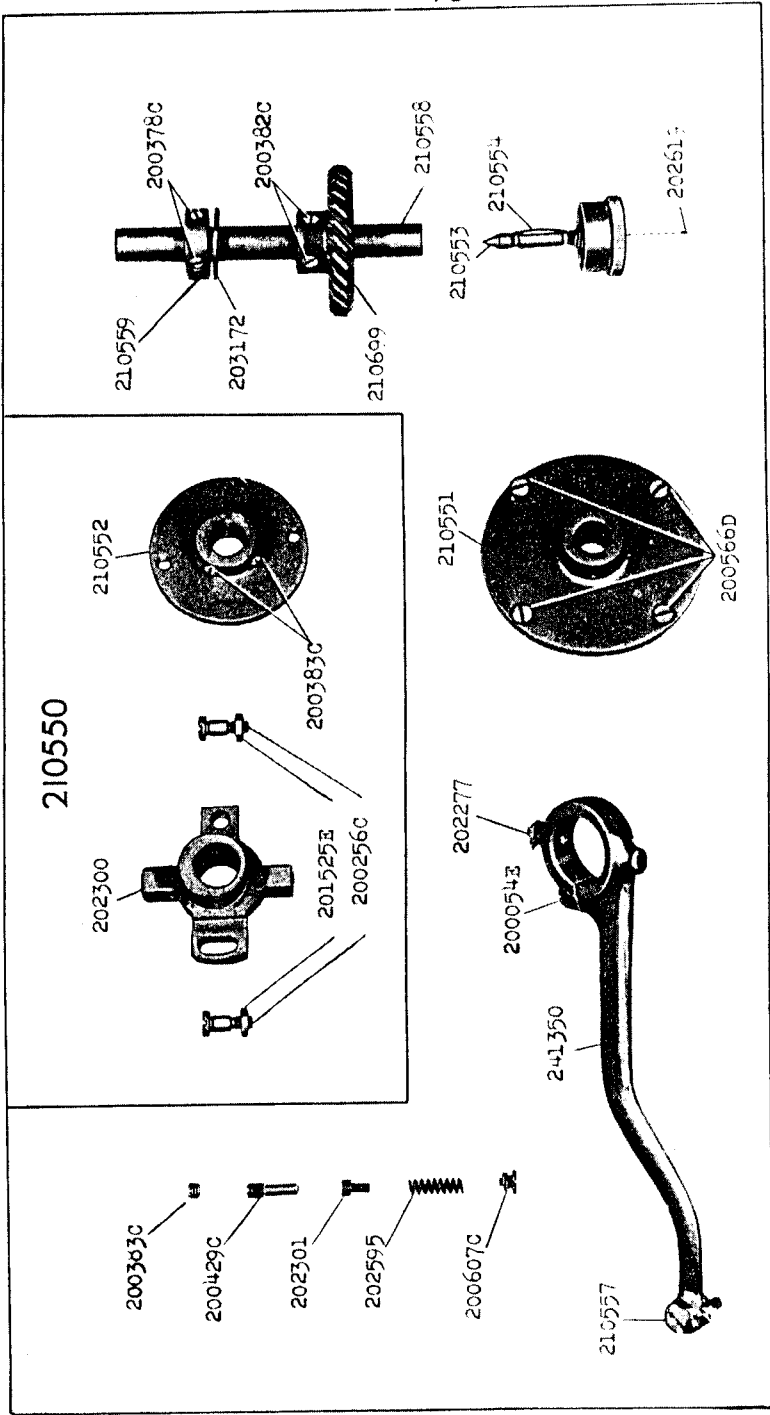
15859 - 1/4



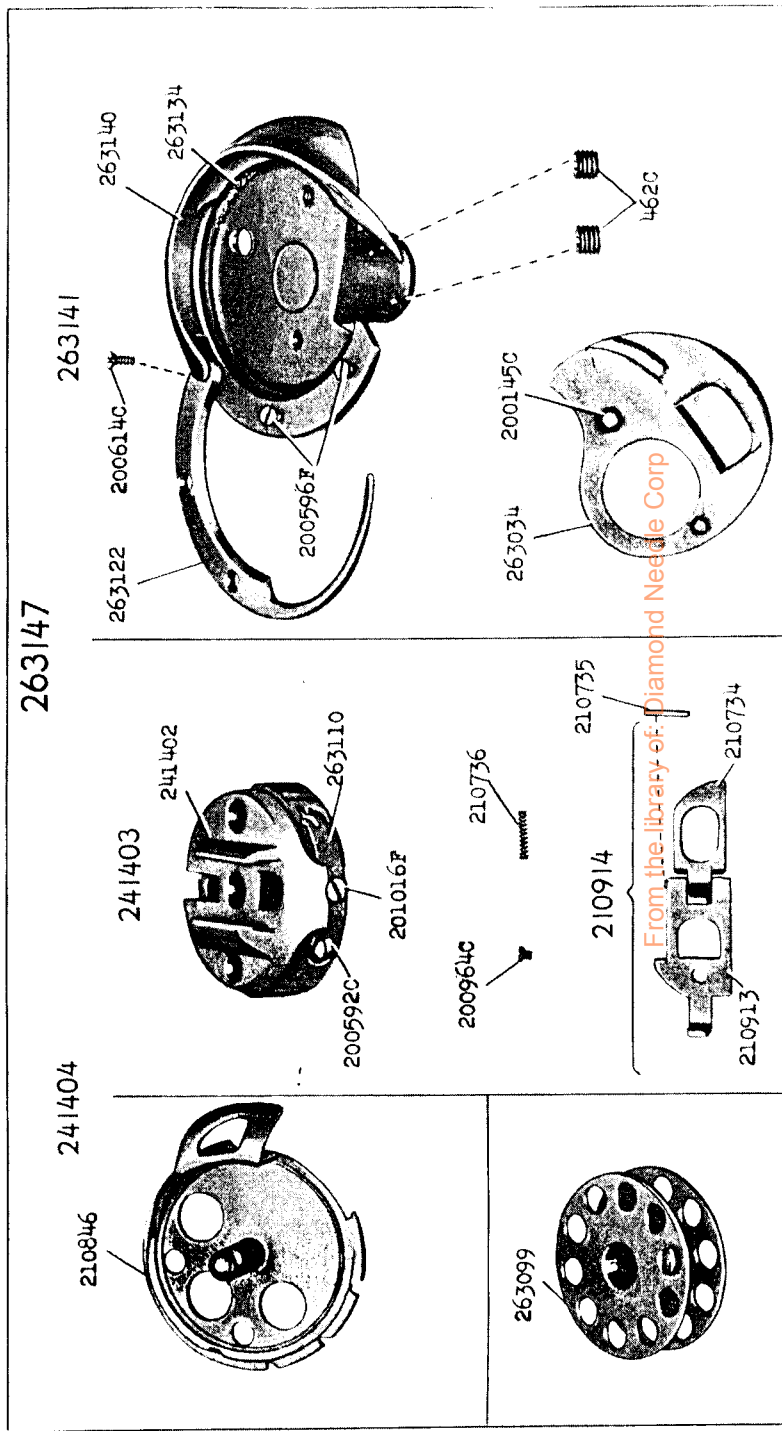


From the library of: Diamond Needle Corp

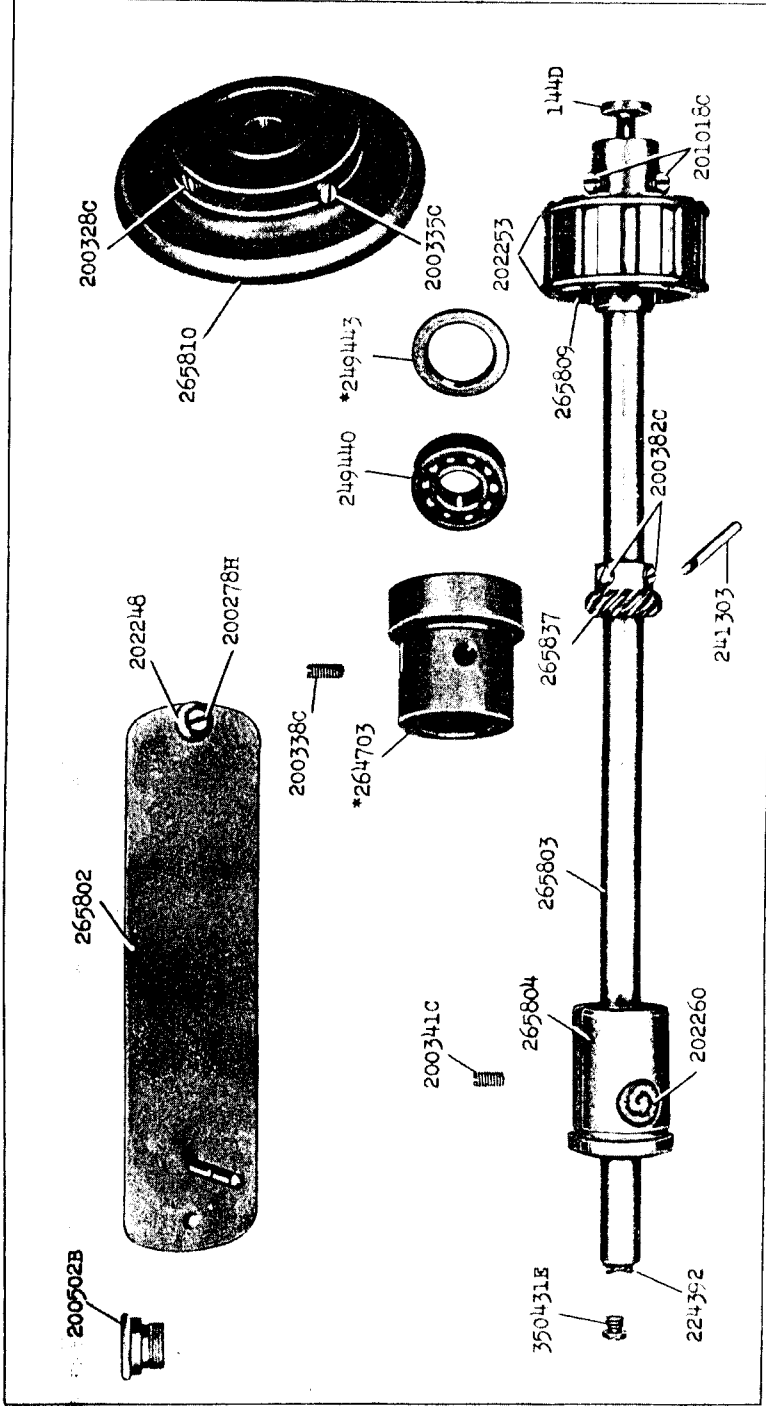
15974 - 3/8



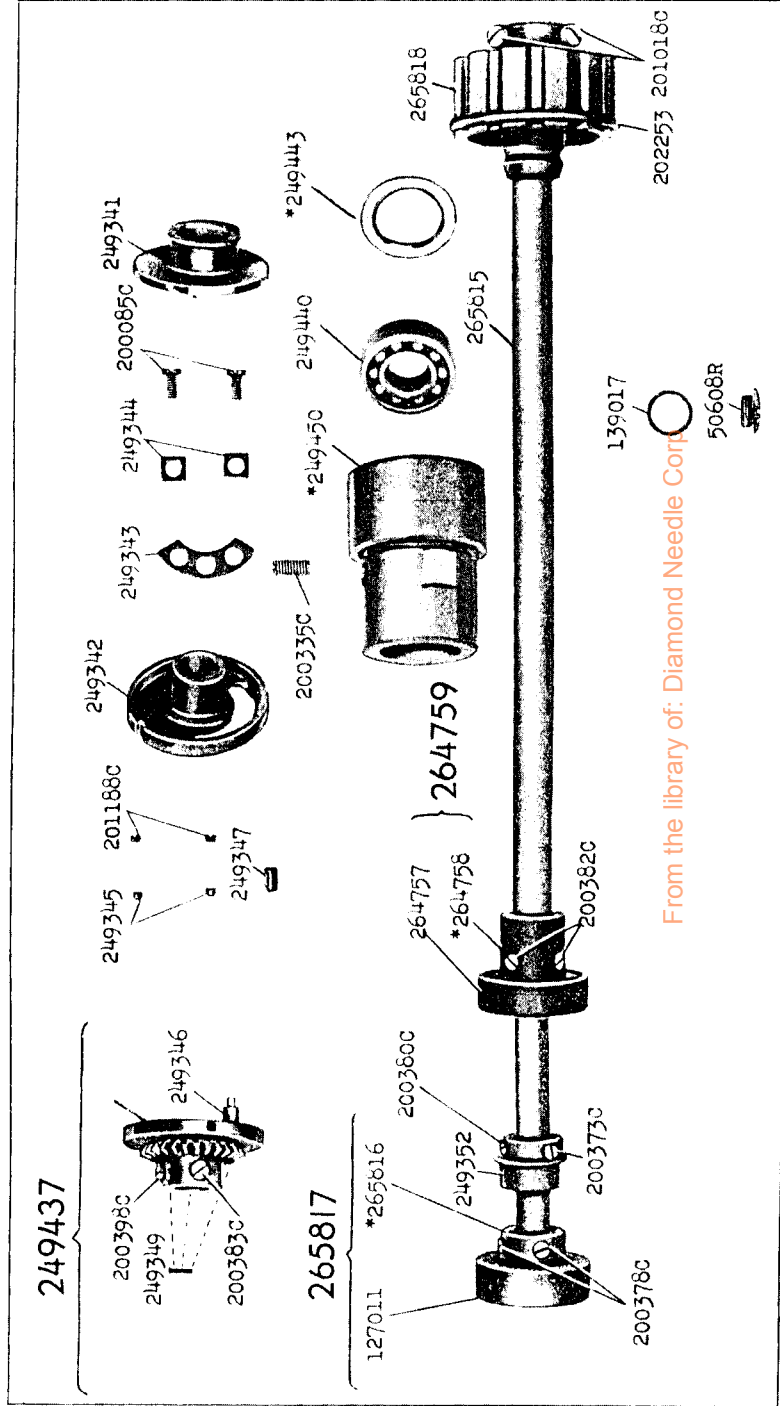
16518



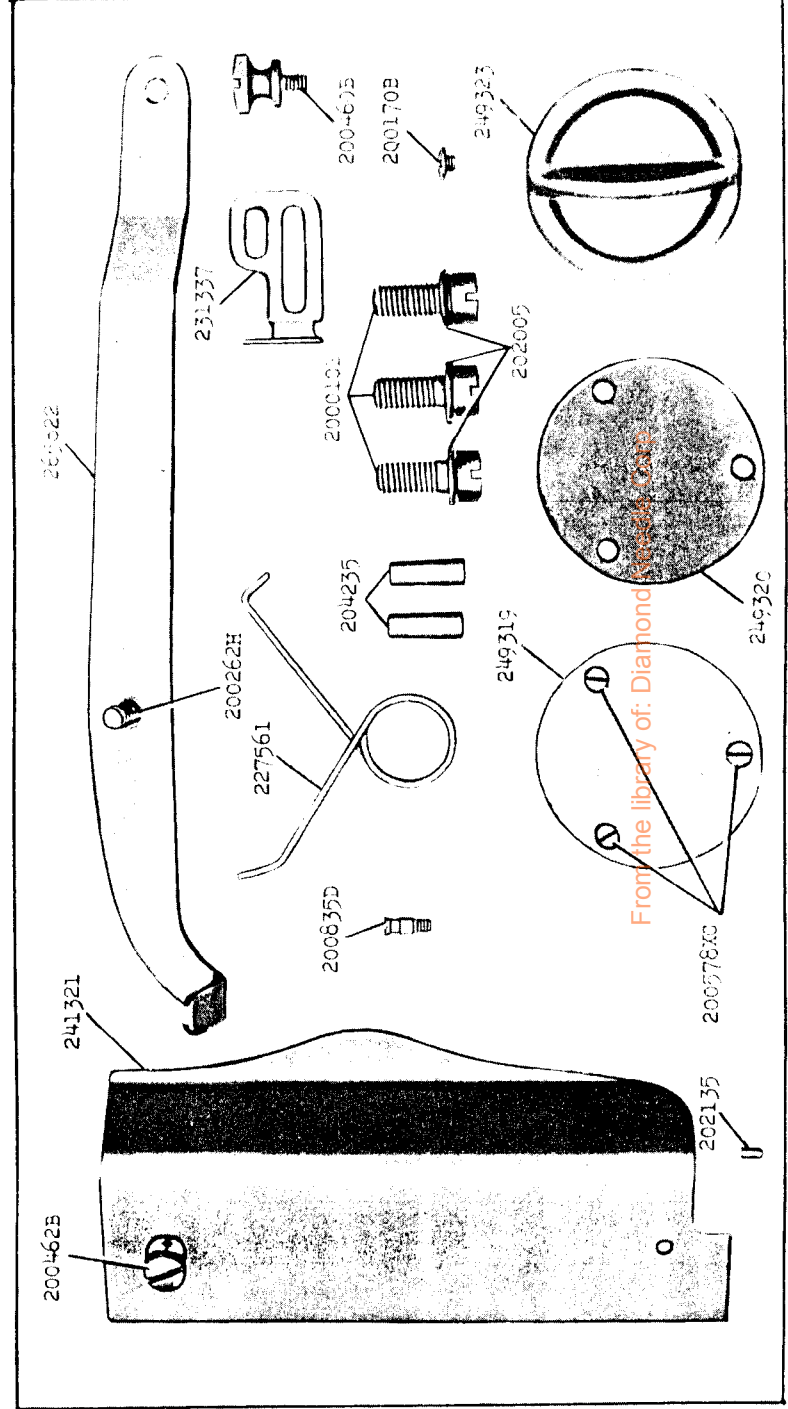
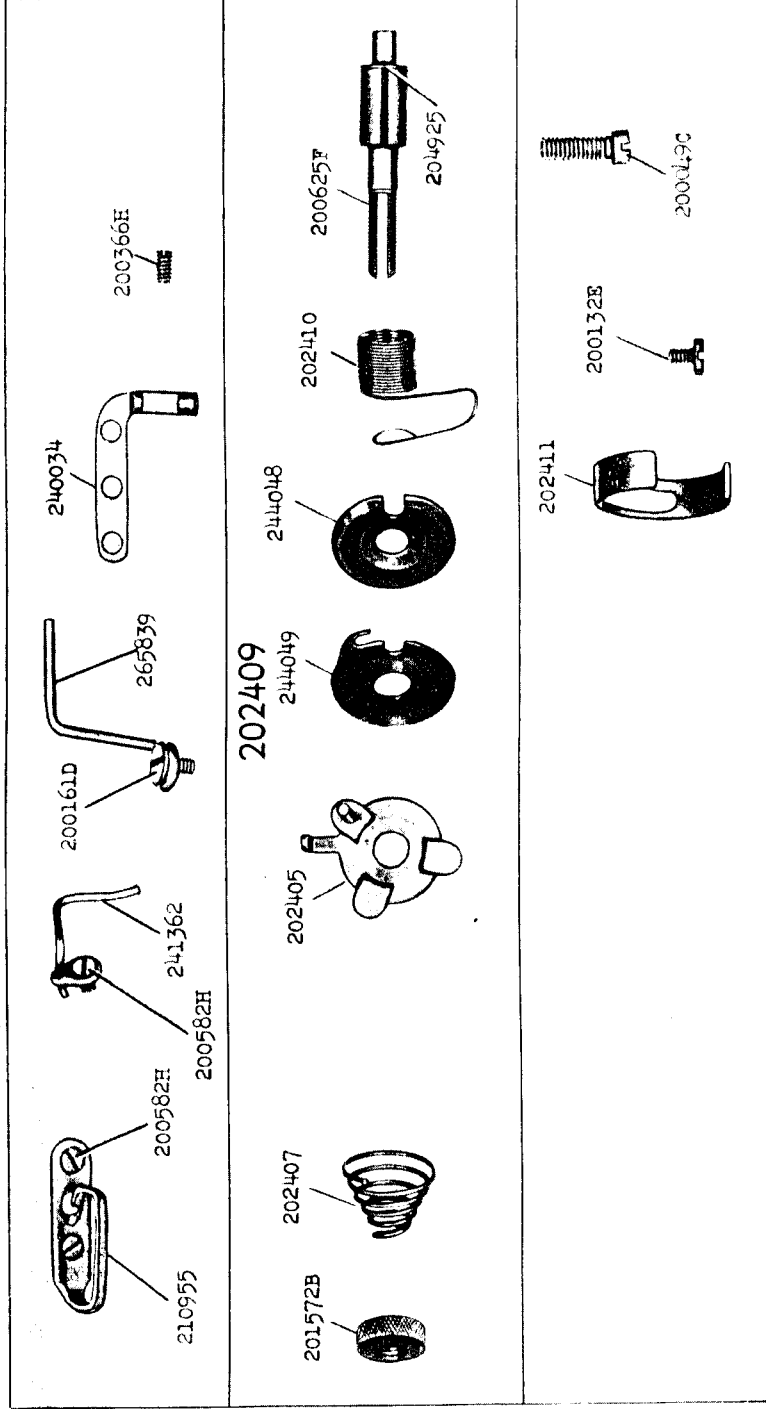
17301 - 3/8



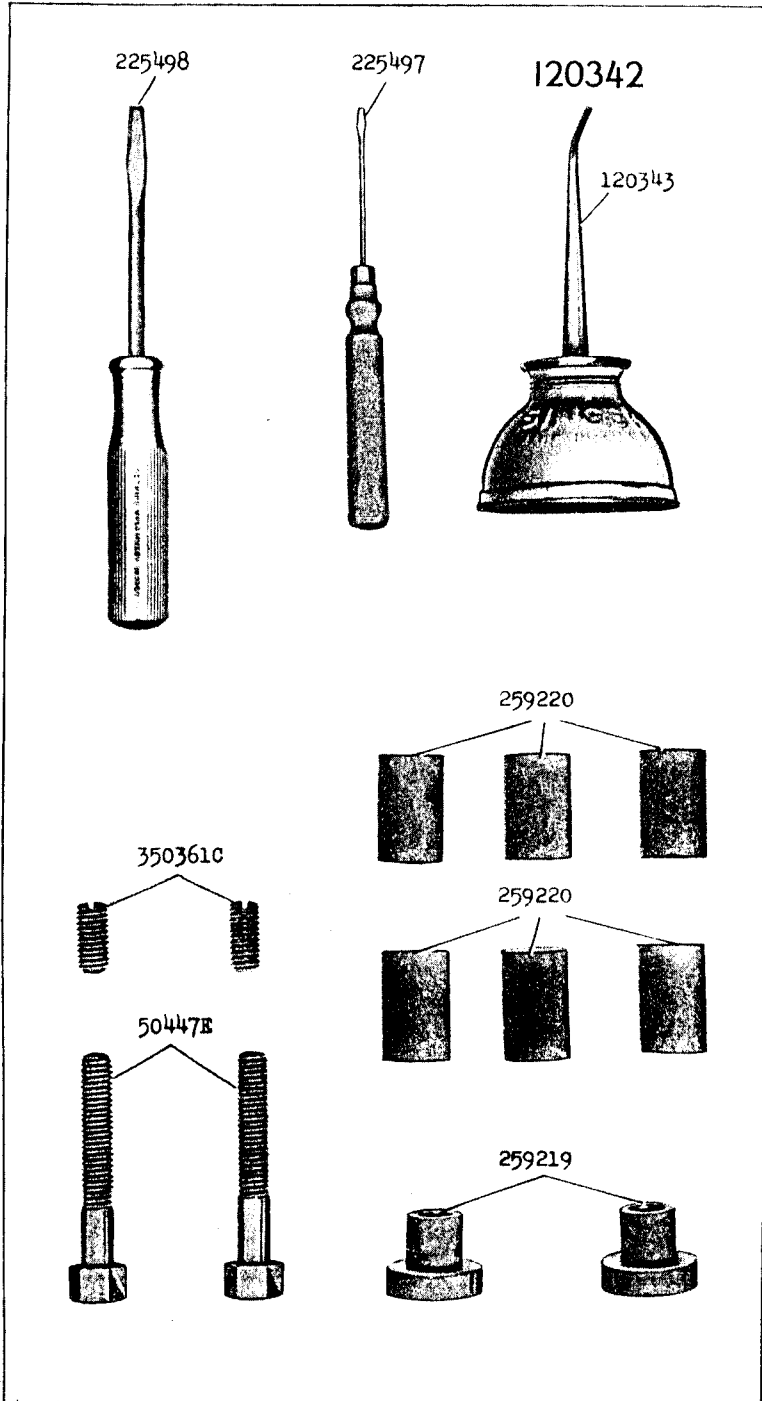
17302 - 3/8



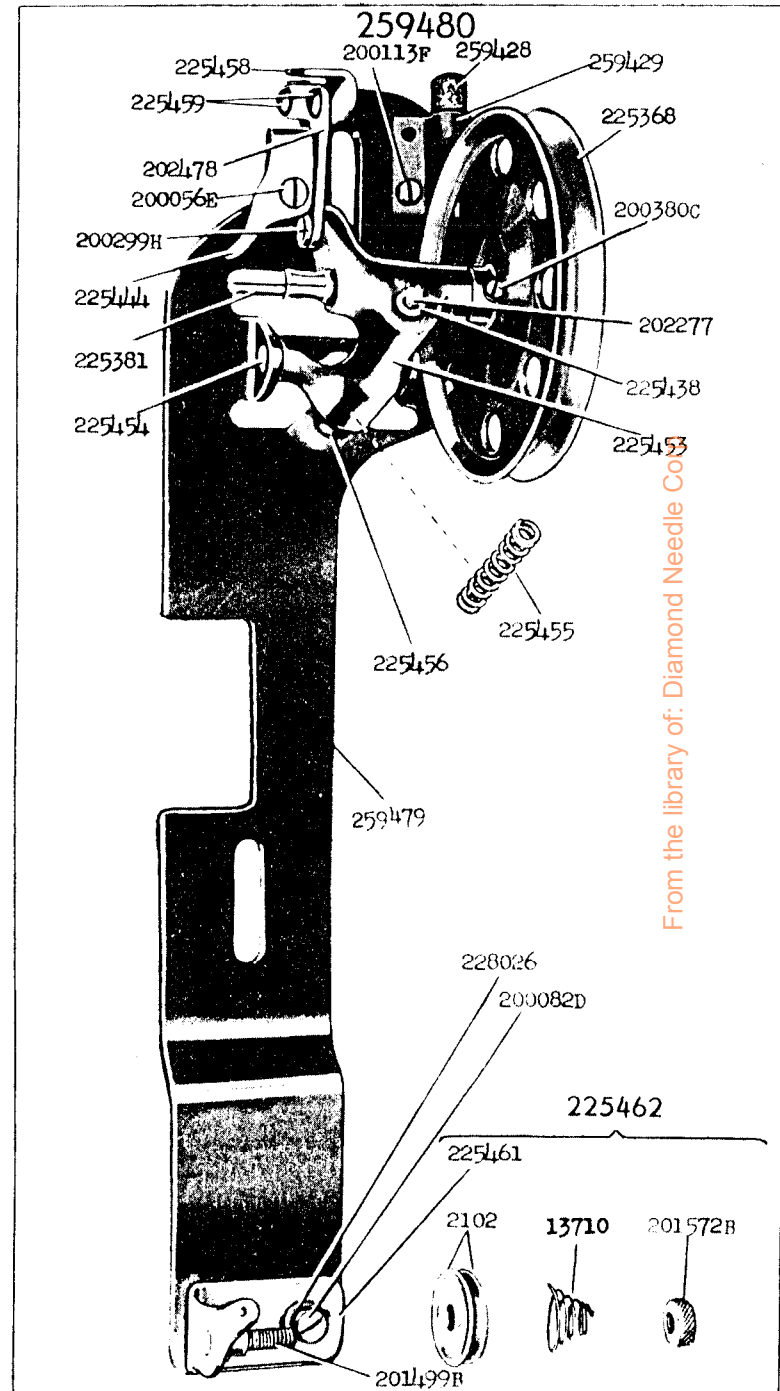
From the library of: Diamond Needle Corp
50608R



17309 - 3/8



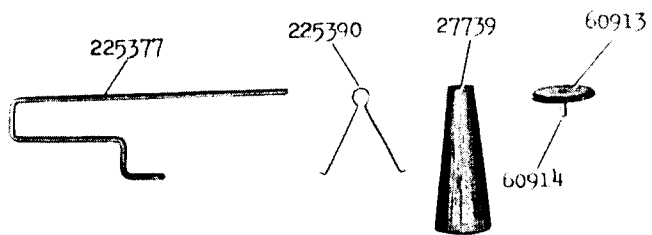
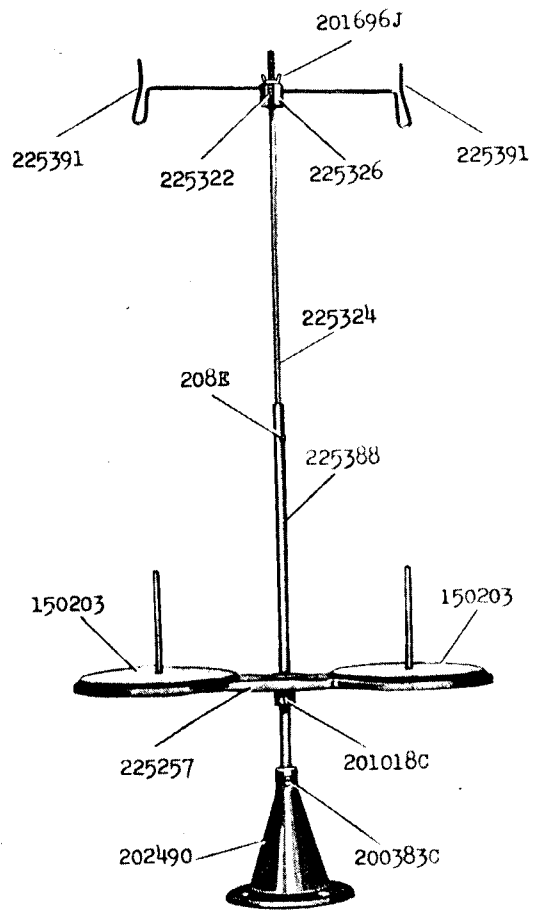
17310 - 1/2



From the library of: Diamond Needle Co.

17900 - 1/6

225258



RECEIVED
PER
MAR 26 1941
SINGER SEWING MACHINE CO.
GLOVERSVILLE, N. Y.

From the library of: Diamond Needle Corp